



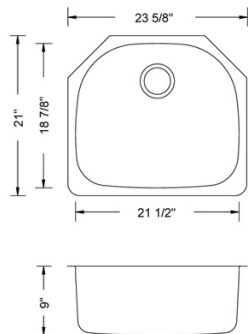
STONE CRAFTERS LLC

IT'S A WATER THING ...



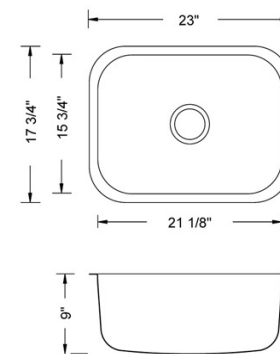
CMU2421-9D

Grid: GWW2118-SS



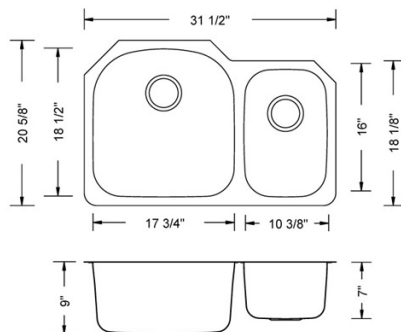
CMU2318-9

Grid: GWW2014-SS



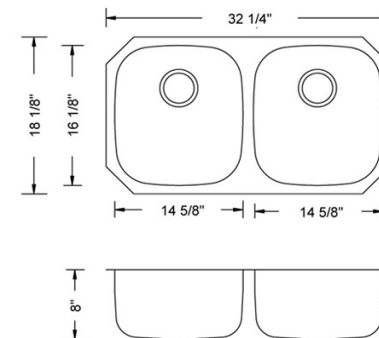
CMU3221-97D

**Grids: GWW1718-SS
GWW1015-SS**



CMU3318-88

Grids: GWW1315-SS



PH 609.646.0406 FAX 609.646.9011